

CK

K-COLOR

ecru moon brown sky
crystal navy mint spring
lilac rose salmon fire
orange lemon white pearl
urban greyness night ivory
camel ecru moon brown
sky crystal navy mint spring
lilac rose salmon fire
orange lemon white pearl
urban greyness night ivory
camel ecru moon brown
sky crystal navy mint spring
lilac rose salmon fire
orange lemon white pearl
urban greyness night ivory
camel ecru moon brown
sky crystal navy mint spring
lilac rose salmon fire
orange lemon white pearl
urban greyness night ivory
camel ecru moon brown
sky crystal navy mint spring
lilac rose salmon fire
orange lemon white pearl
urban greyness night ivory
camel ecru moon brown
sky crystal navy mint spring
lilac rose salmon fire
orange lemon white pearl
urban greyness night ivory
camel ecru moon brown
sky crystal navy mint spring

A high-resolution, close-up photograph of a person's face, focusing on their eyes and lips. The person has light-colored eyes and is looking slightly to the right. The lighting is soft and even, highlighting the texture of the skin and the details of the eyes and lips.

CK

K-COLOR

GRES PORCELLANATO SMALTATO

GLAZED PORCELAIN. GRES CERAME EMAILLE. GLASIERTE FEINSTEINZEUG. GRES PORCELÁNICO ESMALTADO

NATURALE

NATURAL. NATUREL. NATURBELASSEN. NATURAL

GRIP

TEXTURED. STRUCTURÉE. STRUKTURIERT. ESTRUCTURADO

20x20

8" x 8"



Ceramiche Keope: Made in Italy

In Ceramiche Keope riteniamo che la **responsabilità sociale** di un'impresa si manifesti innanzitutto operando con **trasparenza e correttezza** nei confronti di tutti gli interlocutori, siano essi clienti, fornitori, collaboratori.

Per questo motivo abbiamo aderito con convinzione al "codice etico" di Confindustria Ceramica che impegna a **comunicare con chiarezza l'origine dei nostri prodotti**.

Riteniamo che **il marchio "Made in Italy"** sia garanzia di valori forti quali **stile, design, innovazione e qualità del prodotto**, ma soprattutto rappresenti **rispetto per l'ambiente e per le persone**.

Siamo convinti che le nostre ceramiche "Made in Italy" siano sinonimo di qualità, design, ed etica del lavoro e pertanto, con orgoglio, comunichiamo e promuoviamo questo valore.

*At Ceramiche Keope, we believe that the **social responsibility** of a company should express itself by means of a **transparent and correct approach** to all interlocutors, irrespective of whether they are customers, suppliers or co-operators.*

*For this reason, we have chosen to comply with the "code of ethics" of Confindustria Ceramica (Italian association of ceramic industries), which means that we **must clearly indicate the origin of our products**.*

*We believe that **the "Made in Italy" mark** guarantees strong values, such as for instance **style, design, innovation and quality of the product**, and above all respect, **for the environment and for people**.*

We are convinced that "Made in Italy" means products of top quality, with a high standard of design and manufactured in accordance to work ethics. Therefore, we are proud to inform you of the above and to promote these values.



ng l
ky o
nel
ess
ow
y co

fire 20x20
ivory 20x20

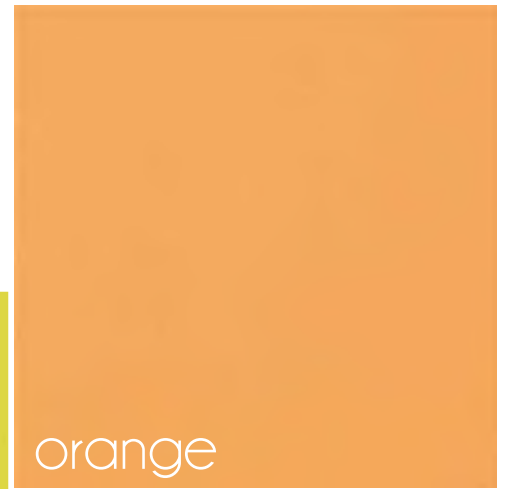
K-COLOR



white



lemon

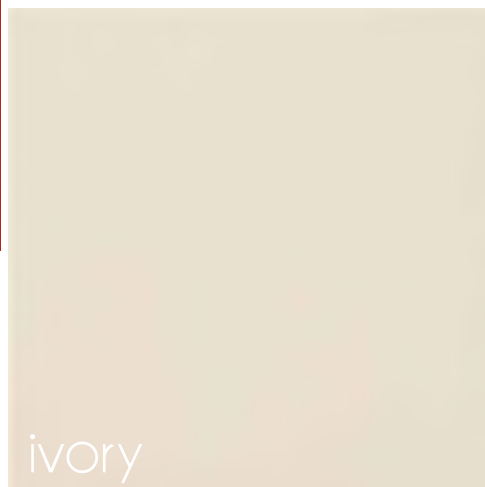


orange

lilac rose salmon ivory orange lemon white pearl urban greyness nig
crystal navy mint spring lilac rose salmon fire orange lemon white pec
ecru moon brown fire ivory navy mint spring lilac rose salmon orang
night ivory rose salmon fire orange lemon white pearl urban greyne
n sky crystal navy mint spring lilac rose salmon fire orange lemon whit
amel ecru moon brown sky crystal navy mint spring lilac rose salmon fi



fire



ivory

K-COLOR



greyneess night ivory camel ecru moon brown sky crystal navy mint spring lilac rose sa
urban greyness night ivory camel ecru moon brown sky crystal navy mint spring lilac
pearl urban greyness night ivory camel ecru moon brown sky crystal navy mint spring
urban greyness night ivory camel ecru moon brown sky crystal navy mint spring
white pearl urban greyness night ivory camel ecru moon brown sky crystal navy
lemon white pearl urban brown night ivory camel ecru moon

...e c simon
...e r os
...y lilac sol
...mint
...bro cry



camel 20x20
moon 20x20



mint 20x20
spring 20x20

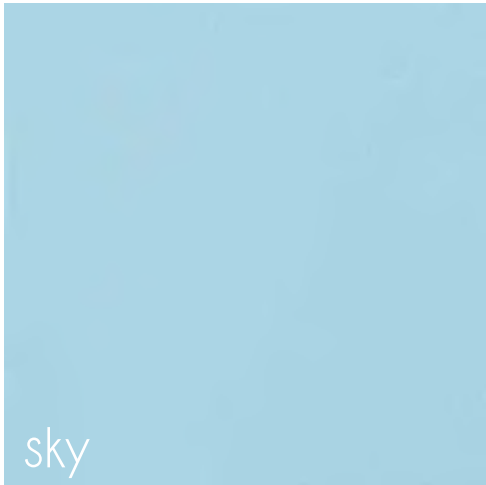
white pearl urban g
lilac rose salmon fire or
brown sky crystal n
greyness night ivory
fire orange lemon white
navy mint spring lilac

K-COLOR



greyness night ivory **rose** ecru moon brown sky crystal navy mint spring
orange lemon white pearl urban greyness night ivory camel ecru moon
navy mint spring lilac rose salmon fire orange lemon white pearl urban
camel ecru moon brown sky crystal navy **mint** spring lilac rose salmon
e pearl urban greyness night ivory camel ecru moon brown sky crystal
rose salmon fire orange lemon white pearl urban greyness night ivory
camel ecru moon brown

K-COLOR



brown sky crystal navy mint spring lilac rose salmon fire orange lemon white
light ivory camel ecru moon brown sky crystal navy mint spring lilac
lemon white pearl urban greyness night ivory camel ecru moon brown
spring lilac rose salmon fire orange lemon navy sky urban greyness night
brown sky crystal mint spring lilac rose salmon fire orange lemon white
light ivory camel ecru moon brown crystal navy mint spring lilac rose s
white pearl urban greyness night ivory camel ecru moon brown sky cry
rose salmon fire orange lemon white pearl urban greyness night ivory
sky crystal navy mint spring lilac rose salmon fire orange lemon

white
ros
own
nt iv
te
alm
sto
ca

navy 20x20
sky 20x20





pearl 20x20
greyness 20x20

K-COLOR

mint spring lilac rose salmon fire orange lemon white pearl urban
brown sky crystal navy mint spring lilac rose salmon fire orange lemon
night ivory camel ecru moon brown sky urban navy mint spring lilac rose
white pearl greyness night ivory urban camel ecru moon brown sky
fire orange lemon white pearl urban greyness night ivory camel ecru moon brown
mint spring lilac rose salmon fire orange lemon white pearl urban greyness night ivory



K-COLOR 20x20.8"x8"

GRES PORCELLANATO SMALTATO

GLAZED PORCELAIN. GRES CERAME EMAILLE. GLASIERTE FEINSTEINZEUG. GRES PORCELÁNICO ESMALTADO

NATURALE . NATURAL . NATUREL . NATURBELASSEN . NATURAL

GRIP: TEXTURED. STRUCTURÉE. STRUKTURIERT. ESTRUCTURADO



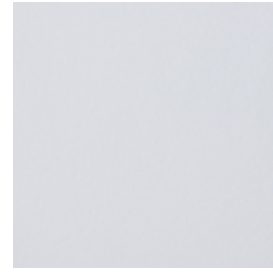
NIGHT PEI III



GREYNESS PEI III



URBAN PEI IV
URBAN GRIP PEI IV



PEARL PEI IV



WHITE PEI IV
WHITE GRIP PEI V



SKY PEI IV



CRYSTAL PEI III
CRYSTAL GRIP PEI IV



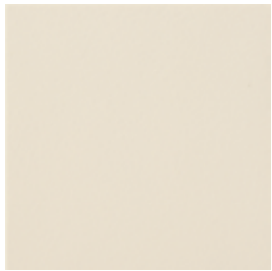
NAVY PEI III



MINT PEI IV
MINT GRIP PEI IV



SPRING PEI III



IVORY PEI IV
IVORY GRIP PEI V



CAMEL PEI IV



ECRU PEI IV



MOON PEI II



BROWN PEI III



LILAC PEI IV



ROSE PEI IV



SALMON PEI III



LEMON PEI IV



ORANGE PEI IV



FIRE PEI IV

CARATTERISTICHE TECNICHE

CONFORME ALLA NORMA EN 14411 APPENDICE G GRUPPO BIa - GL

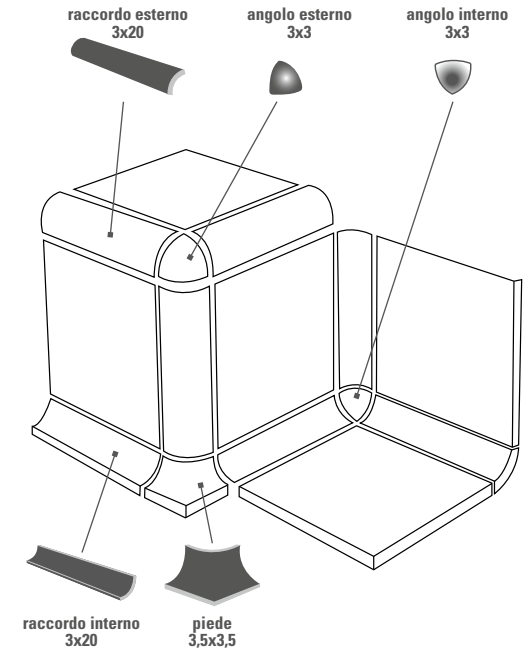
TECHNICAL FEATURES - COMPLIANT WITH STANDARDS EN 14411 ANNEX G GROUP BIa - GL

		CARATTERISTICA TECNICA TECHNICAL FEATURES	NORMA SPECIFICATION	VALORE PRESCRITTO VALUES REQUIRED	*VALORE KEOPE *KEOPE VALUES
CARATTERISTICHE DI REGOLARITA' REGULARITY CHARACTERISTICS		LUNGHEZZA E LARGHEZZA LENGTH AND WIDTH	ISO 10545-2	± 0,75 %	CONFORME IN ACCORDANCE
		SPESSORE THICKNESS	ISO 10545-2	± 5,0 %	CONFORME IN ACCORDANCE
		ORTOGONALITÀ SQUARENESS	ISO 10545-2	± 0,6 %	CONFORME IN ACCORDANCE
		RETTILINEARITÀ DEGLI SPIGOLI STRAIGHTNESS OF THE EDGES	ISO 10545-2	± 0,5 %	CONFORME IN ACCORDANCE
		PLANARITÀ FLATNESS	ISO 10545-2	± 0,5 %	± 0,5 %
CARATTERISTICHE STRUTTURALI STRUCTURAL CHARACTERISTICS		ASSORBIMENTO D'ACQUA WATER ABSORPTION	ISO 10545-3	≤ 0,5 %	CONFORME IN ACCORDANCE
		FORZA DI ROTTURA BREAKING STRENGTH	ISO 10545-4	≥ 700 N	≥ 1300 N
		MODULO DI ROTTURA MODULUS OF RUPTURE		≥ 35 N/mm ²	≥ 45 N/mm ²
CARATTERISTICHE MECCANICHE SUPERFICIALI SURFACE MECHANICAL CHARACTERISTICS		DUREZZA MOHS MOHS HARDNESS	EN 101	≥ 5	CONFORME IN ACCORDANCE
		RESISTENZA ALLA ABRASIONE SUPERFICIALE RESISTANCE TO SURFACE ABRASION	ISO 10545-7		VEDI TABELLA SEE TABLE
CARATTERISTICHE TERMO IGROMETRICHE THERMAL AND HYGROMETRIC CHARACTERISTICS		COEFFICIENTE DI DILATAZIONE TERMICA LINEARE COEFFICIENT OF LINEAR THERMAL EXPANSION	ISO 10545-8	METODO DI PROVA DISPONIBILE TEST METHOD AVAILABLE	≤ 9 MK ⁻¹
		RESISTENZA AGLI SBALZI TERMICI THERMAL SHOCK RESISTANCE	ISO 10545-9	METODO DI PROVA DISPONIBILE TEST METHOD AVAILABLE	RESISTE RESISTANT
		RESISTENZA AL CAVILLO CRAZING RESISTANCE	ISO 10545-11	RICHIESTA REQUIRED	RESISTE RESISTANT
		RESISTENZA AL GELO FROST RESISTANCE	ISO 10545-12	RICHIESTA REQUIRED	CONFORME IN ACCORDANCE
CARATTERISTICHE CHIMICHE CHEMICAL CHARACTERISTICS		RESISTENZA AI PRODOTTI CHIMICI DI USO DOMESTICO ED AGLI ADDITIVI PER PISCINA RESISTANCE TO HOUSEHOLD CHEMICALS AND SWIMMING POOL SALTS	ISO 10545-13	CLASSE GB MIN. CLASS GB MIN.	GA
		RESISTENZA A BASSE CONCENTRAZIONI DI ACIDI E ALCALI RESISTANCE TO LOW CONCENTRATIONS OF ACIDS AND ALKALIS	ISO 10545-13	SECONDO CLASSIFICAZIONE INDICATA MANUFACTURER TO STATE CLASSIFICATION	GLA
		RESISTENZA A ALTE CONCENTRAZIONI DI ACIDI E ALCALI RESISTANCE TO HIGH CONCENTRATIONS OF ACIDS AND ALKALIS	ISO 10545-13	METODO DI PROVA DISPONIBILE TEST METHOD AVAILABLE	GHA
		RESISTENZA ALLE MACCHIE RESISTANCE TO STAINING	ISO 10545-14	CLASSE 3 MIN. CLASS 3 MIN.	5
CARATTERISTICHE DI SICUREZZA SAFETY CHARACTERISTICS		COEFFICIENTE DI ATTRITO DINAMICO DYNAMIC SLIDER	BCRA	D.M.I. GIUGNO 1989 N.236 (μ > 0,40)	> 0,40 GRIP
		COEFFICIENTE DI ATTRITO STATICO STATIC SLIDER	ASTM C1028 (S.C.O.F.)	SLIP RESISTANT (≥ 0,60)	≥ 0,60 DRY (NAT-GRIP) ≥ 0,60 WET (GRIP) ≤ 0,50 WET (NAT)
		CLASSIFICAZIONE ANTISDRUCCIOLO INCLINED PLATFORM	DIN 51130	IN FUNZIONE DELL'AMBIENTE O DELLA ZONA DI LAVORO BASING ON THE ENVIRONMENT OR ON THE WORKING AREA	R10 (GRIP)
			DIN 51097	IN FUNZIONE DELLE ZONE BAGNATE SOGGETTE A CALPESTIO A PIEDI SCALZI BASING ON THE WET-LOADED BAREFOOT AREAS	A+B (GRIP)

*VALORI MEDI RIFERITI A PROVE FATTE NEGLI ULTIMI 24 MESI - AVERAGE VALUES REFER TO TEST DONE IN THE PREVIOUS 24 MONTHS

PEZZI SPECIALI

TRIMS. PIECES SPECIALES. FORMTEILE. PIEZAS ESPECIALES



DEMANDE DE CLASSEMENT NF UPEC EN COURS



*Prodotto in corso di certificazione Ecolabel - Ecolabel certification in progress

MISURE, PESI ED IMBALLI . SIZE, WEIGHT AND PACKAGING . EMBALLAGES ET CONDITIONNEMENT . MASSE, GEWICHT UND VERPACKUNG . MEDIDAS, PESOS Y EMBALAJES

FORMATO size format formato	SPESSORE thickness épaisseur stärke espesor	PZ/SCATOLA pieces/box pièces/bôte stücke/karton pzas/caja	MQ/SCATOLA sq. mt./box m ² /bôte qm./karton mq/caja	KG/SCATOLA kg/box kg/bôte kg/karton kg/caja	MQ/PALLET sq. mt./pallet m ² /palette qm./palette mq/pallet	KG/PALLET kg/pallet kg/palette kg/palette kg/pallet	SCATOLA/PALLET box/pallet bôte/palette karton/palette caja/pallet
20x20	7,3 mm	36	1,44	23,44	80,64	1332,64	56
20x20 Grip	7,3 mm	36	1,44	23,44	80,64	1332,64	56



Office strada Statale 467, 21
42013 Casalgrande (RE) Italy
Phone +39 0522 997511
Fax +39 0522 997544 997545
Factory via Canale 67
42013 Casalgrande (RE) Italy
info@keope.com
www.keope.com

Progetto, direzione e coordinamento a cura dell'Ufficio Marketing
Editore: Ceramiche Atlas Concorde divisione Keope,
Strada Statale 467, n°21 - 42013 Casalgrande (RE) Italia
Pubblicazione: Luglio 2011
Finito di stampare a Reggio-Emilia nel mese di Luglio 2011
da Grafiche Pioppi,
Via Venere di Chiozza, 10/1 - 42019 Scandiano (RE) Italia
©Copyright 2011 by Ceramiche Atlas Concorde divisione Keope

Project, editing and supervision by Marketing Department.
Editor: Ceramiche Atlas Concorde divisione Keope,
Strada Statale 467, n°21 - 42013 Casalgrande (RE) Italy
Publication: July 2011
Printed in Reggio-Emilia in the month of July 2011
by Grafiche Pioppi,
Via Venere di Chiozza, 10/1 - 42019 Scandiano (RE) Italia
©Copyright 2011 by Ceramiche Atlas Concorde divisione Keope

COMPANY WITH QUALITY MANAGEMENT
SYSTEM CERTIFIED BY DNV
= ISO 9001:2008 =


Ceramiche Keope
S. S. 467 n 21 - 42013 Casalgrande (RE)
EN 14411


Ceramics of Italy